

Diamond Power® CH-112 Camera Housing

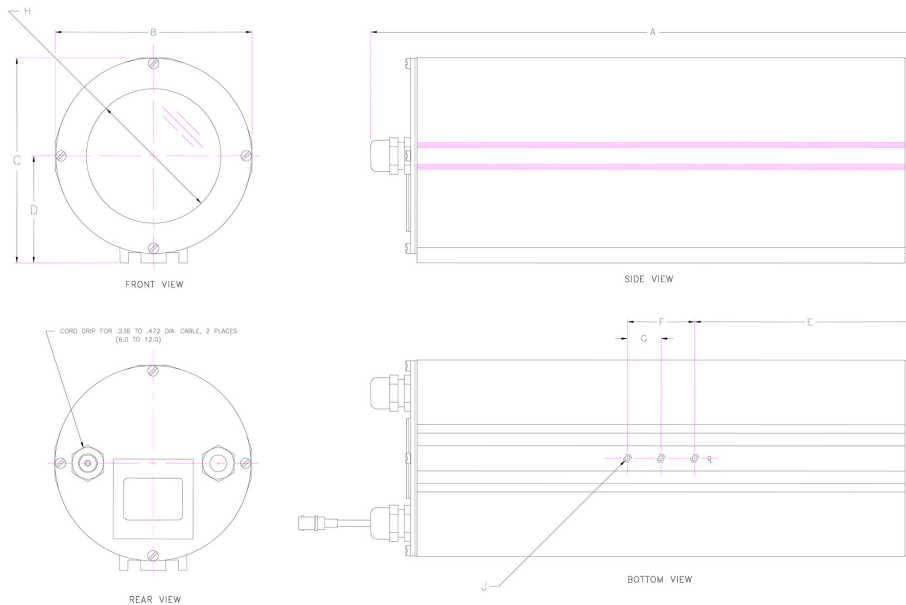
Environmental Enclosure for Solid-State Cameras

The Diamond Power® CH-112 camera housing from Babcock & Wilcox (B&W) protects 1/2 in.- and 2/3 in.-format solid-state CCTV cameras from adverse weather conditions. Ideal for outdoor surveillance applications, the CH-112 camera housing is engineered for easy servicing and durability.

- Standard (fixed or zoom lens) or custom lengths
- Removable rear plate with mounting sled for easy camera/lens adjustment
- Cable entry through two adjustable cable glands on rear plate
- Mounts to all standard fixed and remote-controlled pan/tilt devices



B&W's Diamond Power CH-112 camera housing features rugged, lightweight aluminum extrusion construction.



Options

- Sunshield, fixed or zoom
- Heater
- Blower
- 120 VAC camera power outlet
- 24 VAC camera power
- 12 VDC camera power
- Demon III Cooler
- Purged Air Inlet
- Air Curtain

Specifications

	A ^{1,2}	B ³	C ⁴	D	E	F	G	H	J
Fixed:	16.19 in. (41.12 cm)	5.85 in. (14.86 cm)	6.11 in. (15.52 cm)	3.19 in. (8.10 cm)	6.53 in. (16.59 cm)	2.00 in. (5.08 cm)	1.00 in. (2.54 cm)	4.00 in. (10.16 cm)	1/4 -20 x 0.50 deep 1/4 -20 x 1.27 deep
Zoom:	19.69 in. (50.01 cm)	5.85 in. (14.86 cm)	6.22 in. (15.52 cm)	3.19 in. (8.10 cm)	8.28 in. (21.03 cm)	2.00 in. (5.08 cm)	1.00 in. (2.54 cm)	4.00 in. (10.16 cm)	1/4 -20 x 0.50 deep 1/4 -20 x 1.27 deep

1. Add 2.81 in. for Sunshield
2. Custom lengths available upon request
3. Add 1.5 in. for Sunshield
4. Add 0.75 in. for Sunshield

continued ►

Specifications

	Fixed	Zoom	Add for Heater/Blower
Maximum usable camera lens mounting area	4.95 in. dia. x 10.84 in. L (12.57 cm dia. x 27.64 cm L)	4.95 in. dia. x 14.38 in. L (12.57 cm dia. x 36.53 cm L)	N/A
Weight without camera/lens	5.5 lb (2.5 kg)	7.0 lb (3.2 kg)	1.5 lb (0.7 kg)
Electrical power requirements	115 vac, 50/60 Hz <i>wattage is determined by camera used</i>	115 vac, 50/60 Hz	160 W
Operating temperature range	Same as installed camera, minus 6F (3.3C) <i>without optional cooling source</i>		-40 to 120F (-40 to 49C)

Durability

Humidity	100% condensing
Sand and dust	100% resistant
Fungus	100% resistant, Mil-E-5400R, paragraph 3.2.24.8
Salt	100% salt/sea mist resistant, Mil-E-5400R, paragraph 3.2.24.9



SCAN FOR MORE INFO
ON OUR WEBSITE

Babcock & Wilcox

1200 E Market Street, Suite 650
Akron, Ohio, U.S.A. 44305
Phone: +1 330.753.4511

www.babcock.com    

The information contained herein is provided for general information purposes only and is not intended nor to be construed as a warranty, an offer, or any representation of contractual or other legal responsibility.

Diamond Power is a trademark of The Babcock & Wilcox Company.



**BABCOCK
& WILCOX**

RENEWABLE | ENVIRONMENTAL | THERMAL

Established in 1867, Babcock & Wilcox is a global leader in renewable, environmental and thermal technologies and services for power and industrial applications.

For more information or to contact us, visit our website at www.babcock.com.